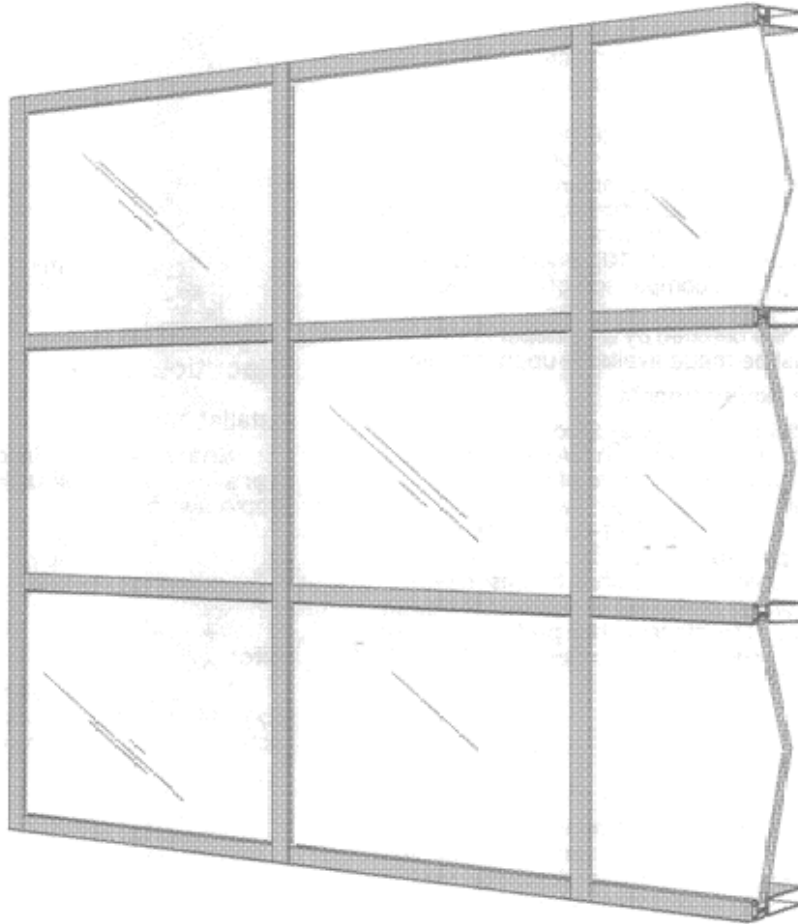


20.01
200 Series Curtainwall
Description



20.02

200 Series Curtainwall

Guide Specifications

General

Description

Furnish all necessary materials, labor and equipment for the complete installation of aluminum curtainwall framing as shown on the drawings and specified herein.

Curtainwall framing shall be 200 Series Curtainwall as manufactured by Tubelite Inc., Reed City, Michigan. Whenever substitute products are to be considered, supporting technical literature, samples drawings and performance data must be submitted ten (10) days prior to bid in order to make a valid comparison of the products involved.

Test reports certified by an independent laboratory will be submitted upon request.

Performance Requirements

Air infiltration shall not exceed 0.06 CFM/Ft² when tested in accordance with ASTM E-283 "Rate of Air Leakage Through Exterior Windows" at a test pressure of 6.24 PSF.

There shall be no uncontrolled water entry when tested in accordance with ASTM E-331 "Water Penetration of Exterior Windows, Curtainwalls and Doors by Uniform Static Air Pressure Difference" at a test pressure of 15 PSF.

There shall be no uncontrolled water entry when tested in accordance with AAMA 501.1-83 "Standard Test Method for Metal Curtainwalls Using Dynamic Pressure" at a dynamic pressure equivalent of 15 PSF.

There shall be no buckling, stress on glass, edge seal failure, excess stress on curtainwall structure, anchors and fasteners or reduction in performance when tested in accordance with AAMA 501.5-19 at a temperature range of 0° to 180° F.

There shall be no "Life/Safety" type failures (glass breakage, anchor failures, or structural damage) when tested in accordance with AAMA 501.4, seismic test (lateral cycling.)

Structural performance shall be based on a maximum allowable deflection of L/175 of the span or 3/4" maximum. The system shall perform to this criteria when subjected to a wind load of (architect specify) _____ PSF.

Thermal transmittance due to conduction (U_c) shall not be greater than 0.67 BTU/Hr/Ft²/F° when tested in accordance with AAMA 1503.1-98, and the Condensation Resistance Factor of the framing (CRF) shall not be less than 66 when tested in accordance with AAMA 1503.1-98.

The system shall have a Sound Transmission Class (STC) rating of 32 and an Outdoor-Indoor Transmission Class (OITC) rating of 26 when tested in accordance with ASTM E90-97, ASTM E413-87 (reapproved 1994) and ASTM E 1332-90.

Products

Materials

Extrusions shall be of aluminum alloy 6063-T5 or 6063-T6 (as required), manufactured within commercial tolerances and free from defects impairing strength and/or durability.

Screws, bolts and all other accessories to be compatible with the aluminum under normal service conditions.

Thermal barrier shall be by means of a flexible 90 durometer EPDM isolator located at the exterior side of the glass plane preventing continuous contact between exterior and interior metal.

Finish

All exposed framing surfaces shall be free of scratches and other serious blemishes.

Finish to be: (architect select)

Etched and clear anodized
(AAM12C22A31)

Class 1 Clear (OA)

(AAM12C22A41)

Class 2 Clear (2A)

Electrolytically deposited color
(AAM12C22A44),

Champagne (4K),

Light Amber (2K),

Amber (1K),

Statuary Bronze (3K),

Black (OD), or

Fluoropolymer painted color _____.

Execution

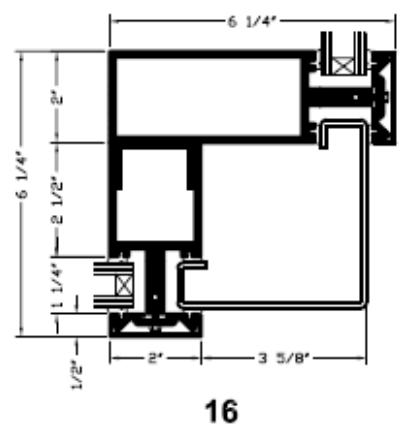
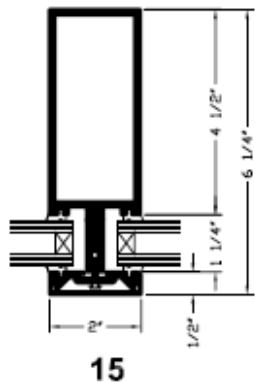
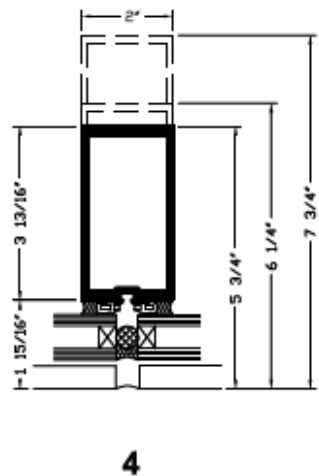
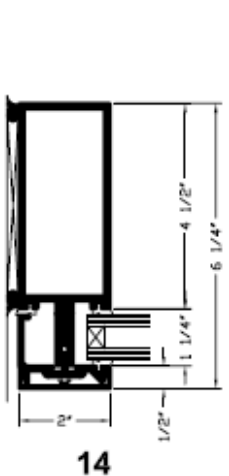
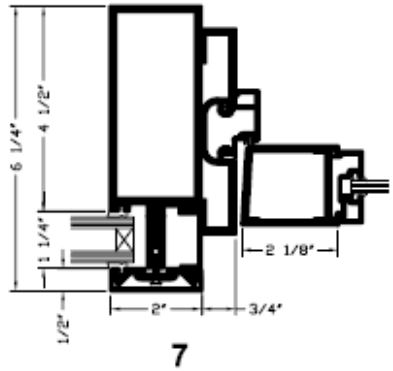
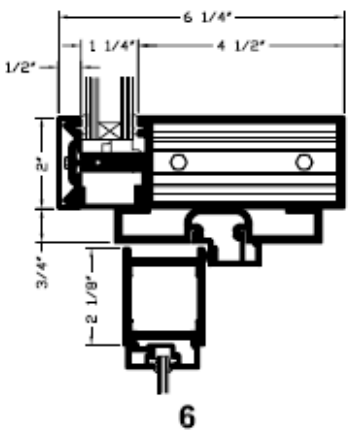
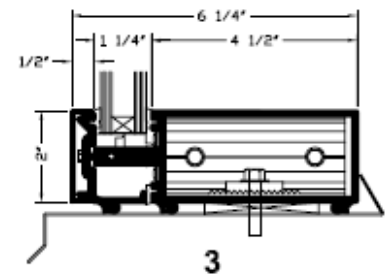
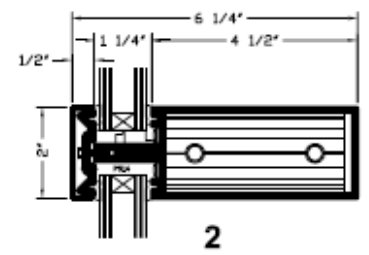
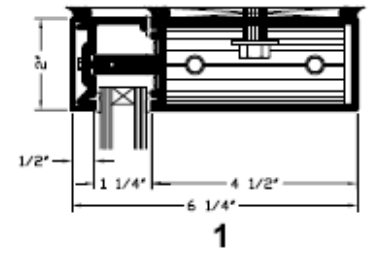
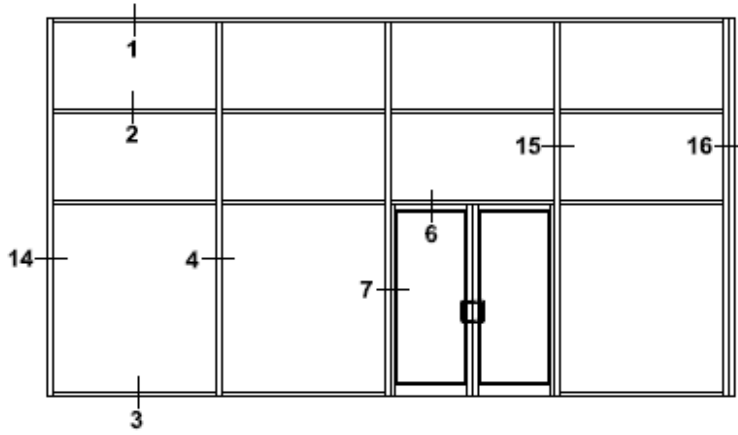
Installation

Shall be in accordance with the manufacturer's installation instructions and the approved shop drawings.

specifications are subject to change

20.03 200 Series Curtainwall Elevation & 1/4 Size Details

CAD DETAIL FILE NO.
280ELEV

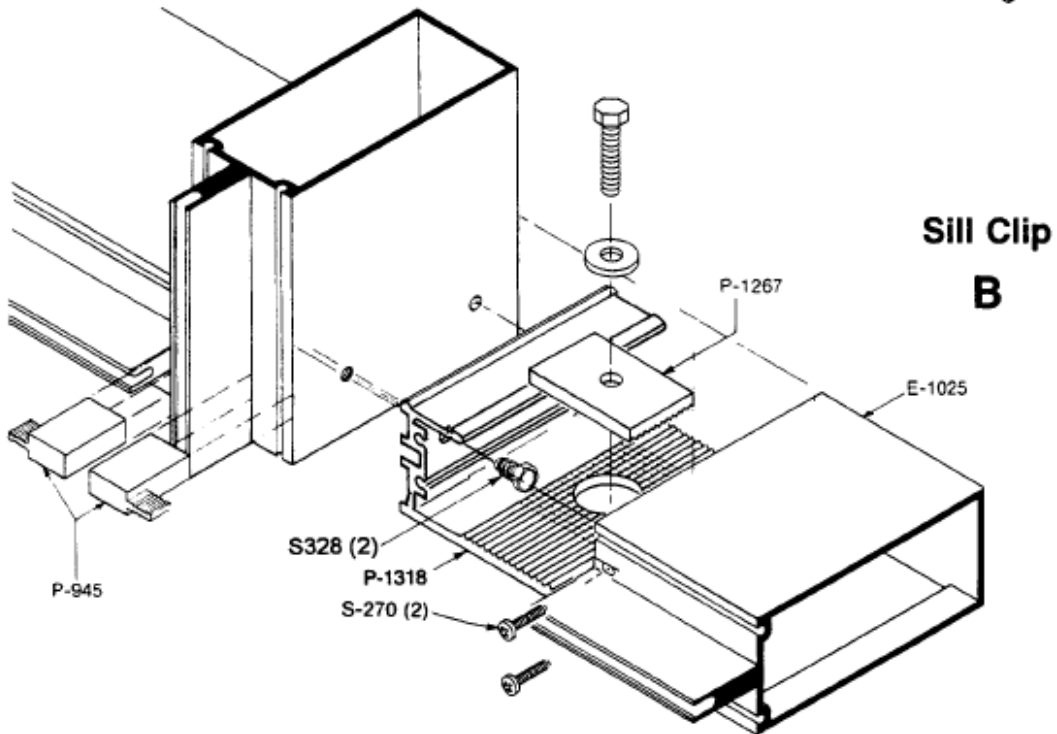
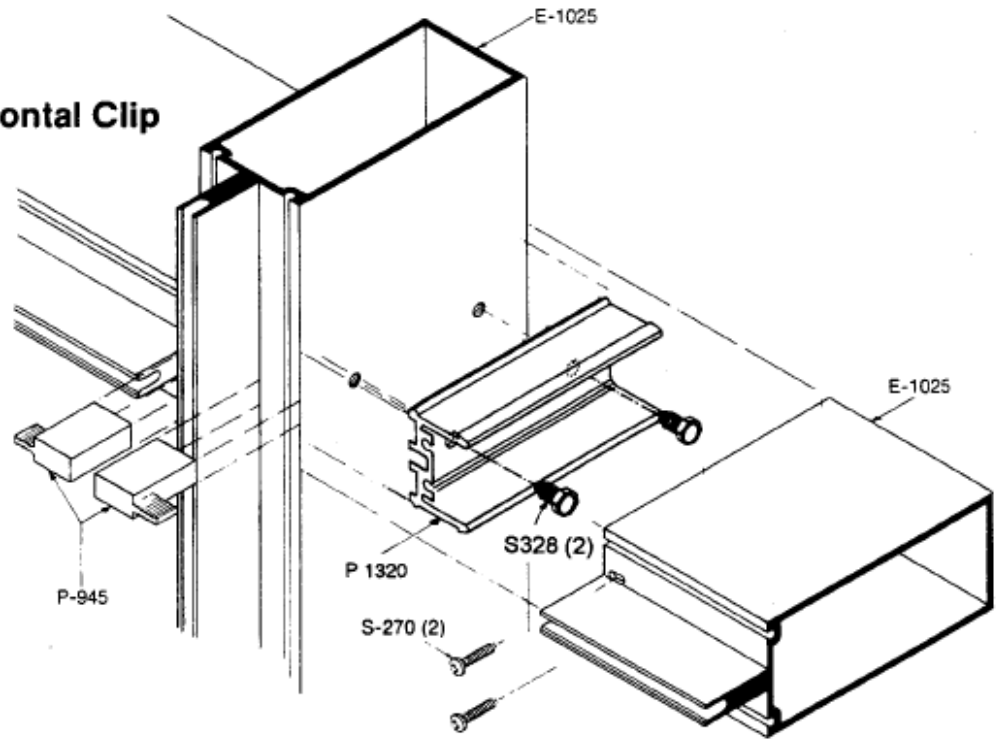


*SEALANT, ROD, & ANCHORS NOT BY TUBELITE

20.05
200 Series Curtainwall
Clip Installation - Isometric

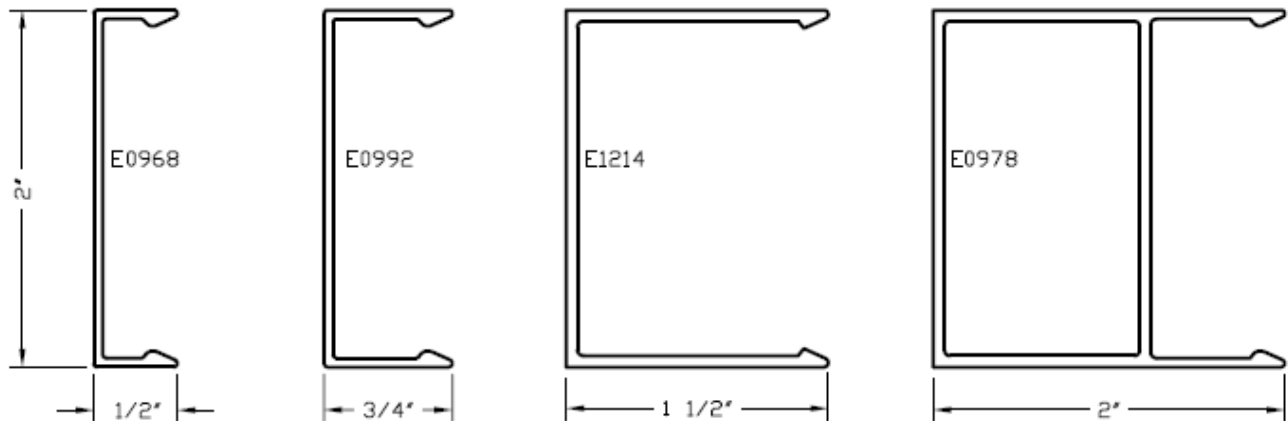
Intermediate Horizontal Clip

A

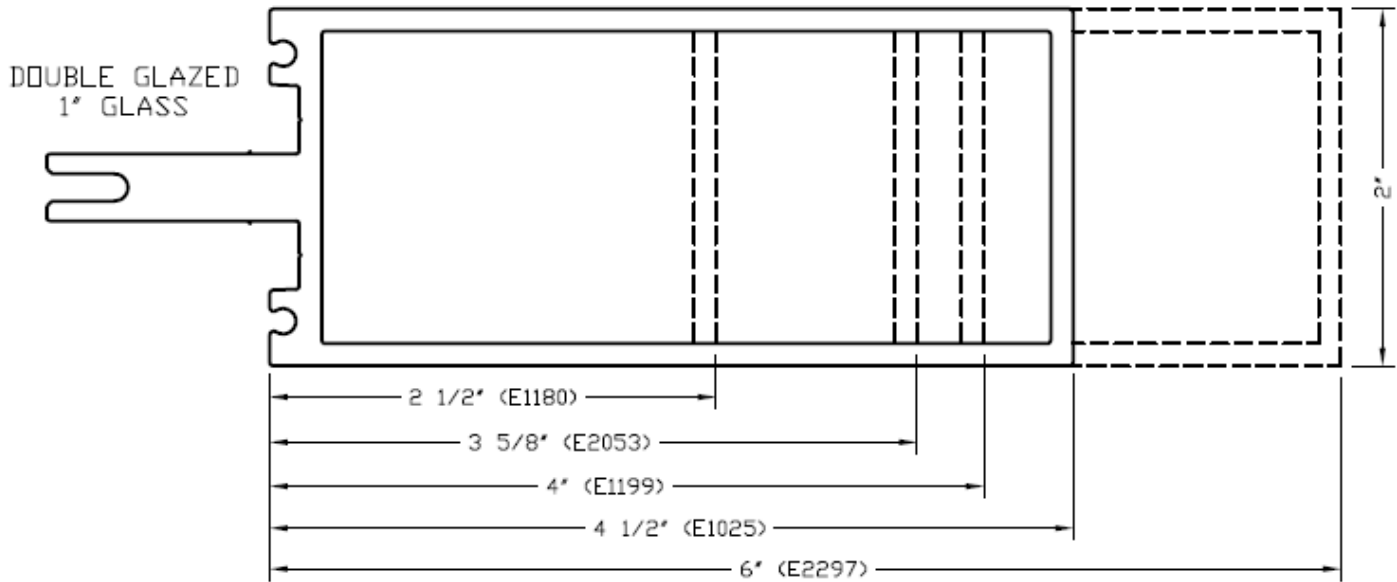


20.13
200 Series Curtainwall
Mullions and Snap Covers

CAD DETAIL FILE NO.
280MULL



SNAP COVERS



MULLIONS

*SEALANT, ROD, & ANCHORS NOT BY TUBELITE